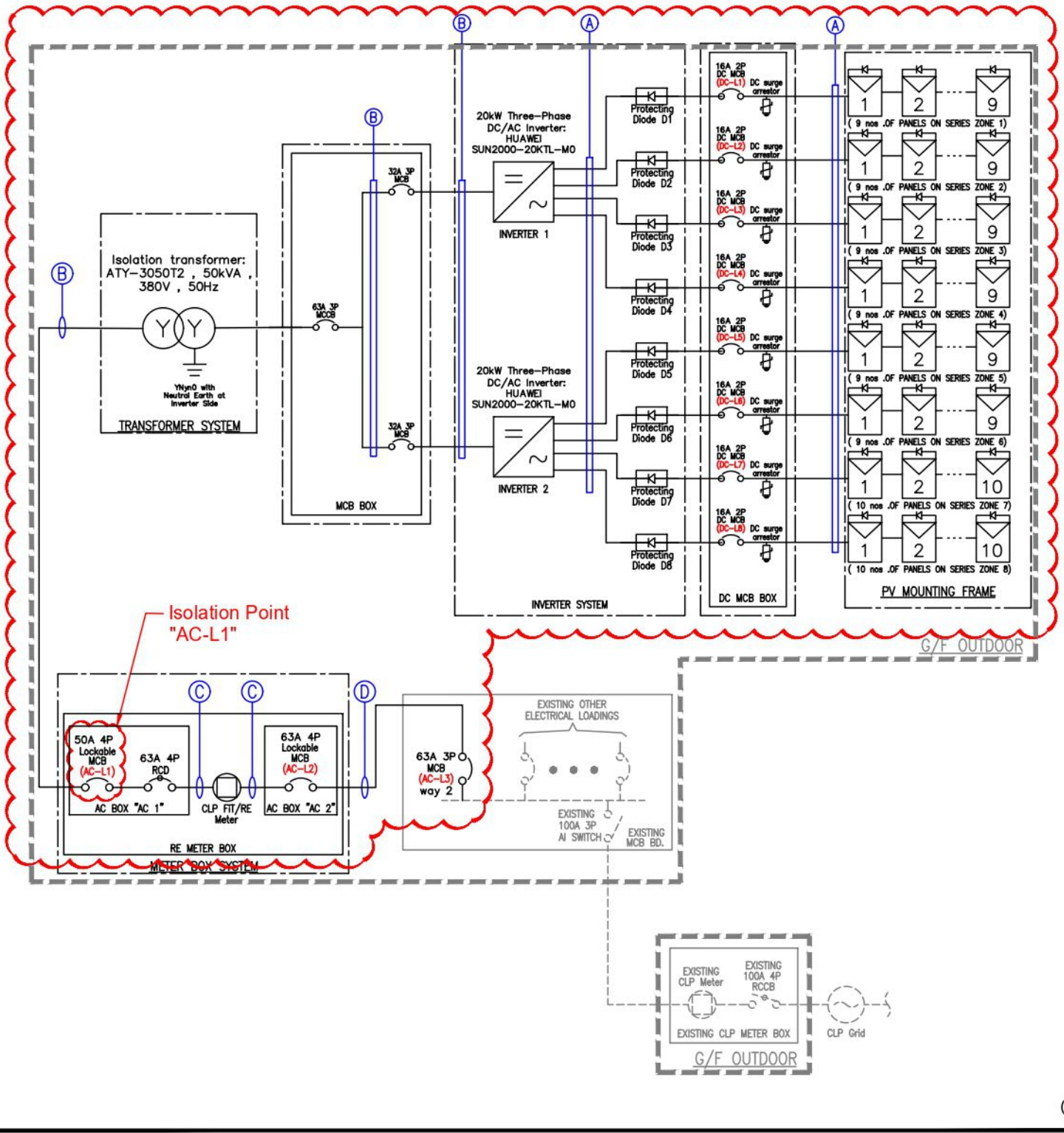


**LEGEND:**

 New System

Cable Details	
(A)	2x4mm <sup>2</sup> 1/C XLPE/PVC Copper PV Cable In DC Cable Conduit
(B)	4x10mm <sup>2</sup> 1/C PVC Copper AC Cable In AC Cable Conduit
(C)	4x16mm <sup>2</sup> 1/C PVC Copper AC Cable In AC Cable Conduit
(D)	4x16mm <sup>2</sup> 1/C PVC Copper AC Cable In AC Cable Conduit Ex. MCB Board



**Main Electrical Schematic**

Drawing Number : 9200009366

Project : DD 39 LOT 2048 SB, YIM TSO HA VILLAGE, SHA TAU KOK  
N.T.